



استراتيڭيڪ
الامينيہ
STRATEGIC
SECURITY

Dome IP Camera



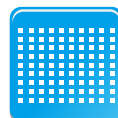
H265



ONVIF



SLINK



4/5MP



APP



D-WDR



Network



Low
Illumination



Motion
Detection



Human
Detection

Introduction:

Human detection IP camera, adopt Ingenic 22nm chip, built-in AI algorithm, H.265 / H.264 compression format, D-WDR, 3D DNR, 2.8-12mm varifocal lens, 18 pcs IR lights, IR distance 20M

Features

- 4MP and 5MP is option, varifocal lens
- 18 pcs IR light, IR distance is 20M
- Built-in human detection algorithm;
- Detection frame 5fps, detect 5 people at the same time;
- Low consumption, low code stream, low delay;
- H.265 compression format, save bandwidth and storage space;
- Support smart IR to avoid Infrared over-exposure at night;
- Support ICR auto switch, achieve best result for D&N video;
- PoE, two-way audio intercom (option)
- Support 3D DNR and digital WDR;
- Support auto-electronic shuttle to suit different surveillance environment
- Support HTTPS encrypted transmission
- Support Onvif, email, NTP service
- Change the password during initial use to ensure the security of the password

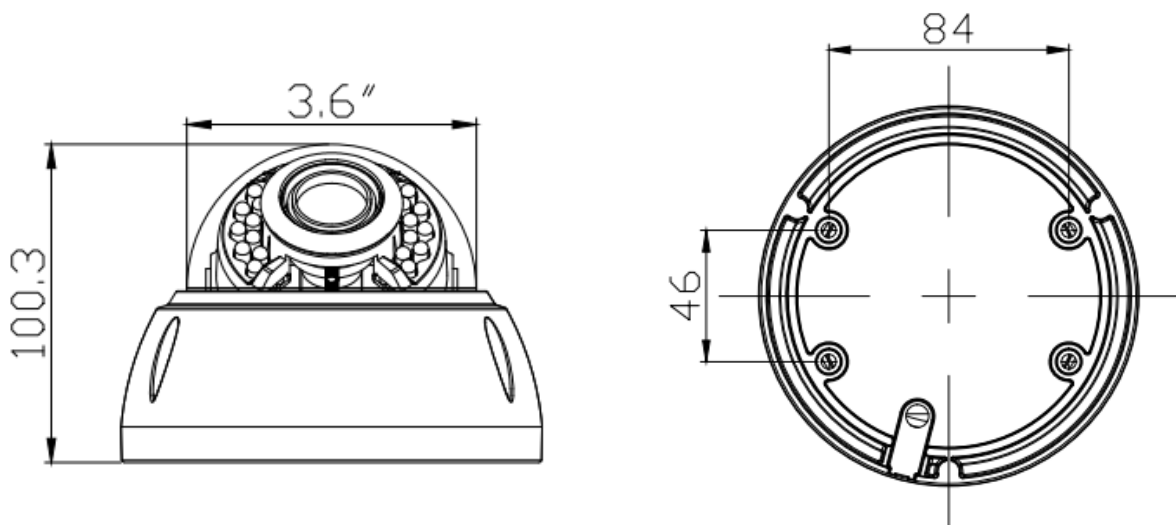
Specification

Camera			
Model No	EH-HN-DN-2M-F2	EH-HN-DN-3Q-F2	EH-HX-DN-5B-F2
Chip	T31N	T31N	T31X
Sensor	GC4063	SC3335	GC4653
Lens	2.8-12MM	2.8-12MM	2.8-12MM
D&N	ICR Switch, Auto/Color/B&W/CDS Trigger		
D-WDR	D-WDR (off/low/middle/high)		
IR Led	18 pcs IR leds, 20M		
3D DNR	Off/Low/Middle/High/Higher		
Defog	Off/Low/Middle/High		

Mirror	Off/ Horizontal Mirror/Vertical Mirror/180-degree flip		
Image Setting	Brightness, Contrast, Sharpness, Saturation, Chroma		
Human Detection			
Detection Quantity	≤5 people human		
Human Size	Human Pixel ≥ 40*40		
Detection Ratio	≥99% (meet above requirement)		
Capture Corresponding Speed	≤1s		
Max Detection Frame	5fps/s		
Fault Detection Ratio	≤2%		
Detection Part	People with any posture including half body, head, hand, shoulder		
Track People	Support		
Detection Mode	Support static and dynamic human detection		
Detection Method	Image detection during day time or night time with lights or IR LEDs		
Detection Area	Appointed area, default full-screen		
Upload Method	Upload it under private protocol		
Trigger Method	Video trigger		
Audio & Video Encoding			
Video Encode Standard	H.265/H.264		
Encoding Feature	Main stream: 4MP@20fps, 3MP@20fps 2MP@25fps 720P@20fps Sub-stream: D1(720*576), VGA (640*360)	Main stream: 4MP@20fps, 3MP@25fps 1080P@25fps Sub-stream: D1(720*576), VGA (640*360)	Main stream: 5MP@20fps, 4MP@25fps 3MP@25fps 1080P@25fps Sub-stream: D1(720*576), VGA (640*360)
Video Code Rate	Fixed code rate, variable code rate (Main stream: 160Kbps-4000kbps)		
Video Type	Composited stream/video stream		
Audio Standard	G.711u / 64Kbps		
Network Function			
Protocol	TCP/IP, UDP, HTTP, HTTPS, DHCP, RTSP, DDNS, NTP, PPPOE, UPNP, SMTP		
Connection Protocol	ONVIF, GB28181 (Option)		

Security Mode	Authorized user name and password, HTTPS encryption, AES connecting encryption, RTSP verification
Motion Detection	Set detection area, can set multi-level sensitivity
Shield Alarm	Support 1 area
Privacy Mask	Support 4 areas
Schedule Linkage	Snapshot, email
Device Abnormal Inspection	Support network broken alarm, IP conflict alarm, illegal visiting alarm
Character Overlay (OSD)	Title, time and date overlay, multi-line, and color of characters optional
Port	
Network Port	RJ45 10M/100M network self-adaptation
Audio	NA
General	
Power Supply	DC12V /PoE (option)
Working Temperature	-20°C ~ 55°C
Working Humidity	0 % ~90 %

Dimension:



EnZhi HuaDaTong(ShenZhen)Digital Technology Co.,Ltd
 Add:6F,A-Big,No.4 North Area, ShangXue Science and Technology
 Industry, JiHua Road, BanTian, LongGnag District, ShenZhen, China
www.ezhdt.com

*Product pictures and technical data are only for reference, any update without prior notice, the final interpretation right belongs to ENZ.